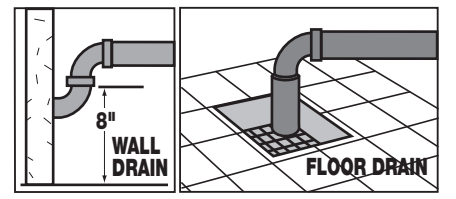


CMA-180/180Tall Quick Setup Instructions

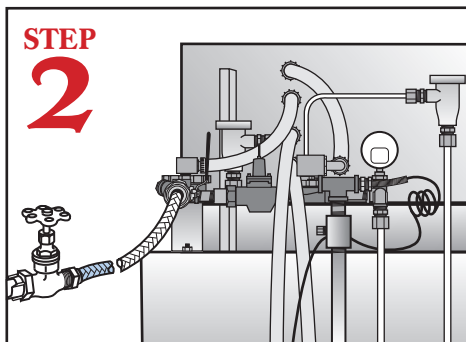
WARNING: Electrical and plumbing connections need to be made by a licensed service person and comply with all Federal, State and Local Health, Electrical, Plumbing and Safety codes.

STEP 1



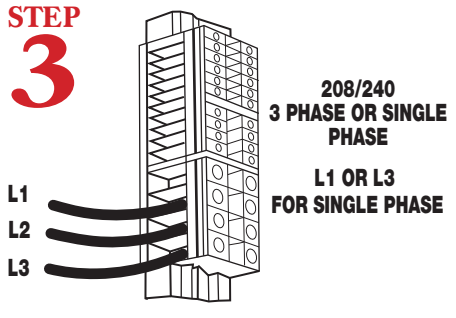
Connect a 2" drain pipe (not supplied) from scrap accumulator to floor or wall drain.

STEP 2



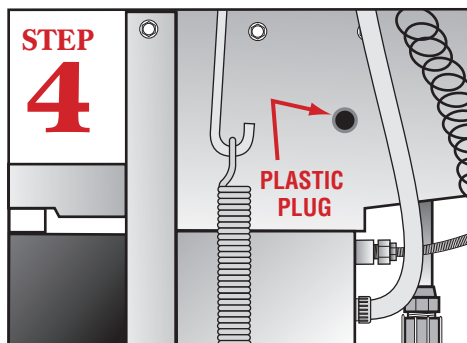
Connect dishmachine to hot water source—minimum 140°F if unit is equipped with a booster heater. If 140°F is not available, order a 2 minute time cycle (120°F minimum temperature required). A minimum of 180°F is required if unit is not equipped with a booster heater.

STEP 3



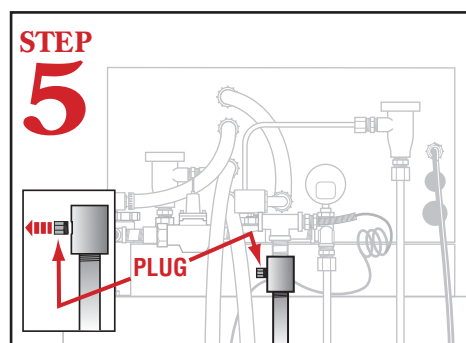
3 Phase: Connect power supply wires, L1, L2 and L3 to the appropriate terminals marked L1, L2 and L3 on the power block. **Important:** If one of the three wires has higher voltage it must be inserted as L-2.

STEP 4



Remove the plastic plug to install the detergent fitting (provided by your dispenser supplier; CMA does not supply).

STEP 5



Remove the plug from the mixing chamber and install the rinse injection fitting (rinse injection fitting provided by your dispenser supplier; CMA does not supply).

CMA-180
REAR VIEW

2 WATER INLET

3 POWER BLOCK

5 MIXING CHAMBER

4 DETERGENT FITTING INLET

1 DRAIN CONNECTION

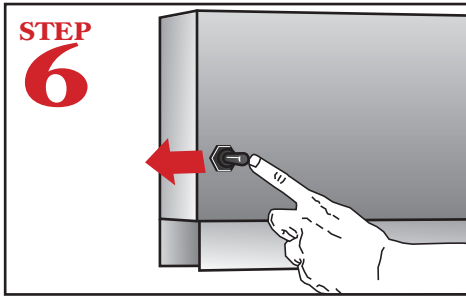


CMA-180/180Tall

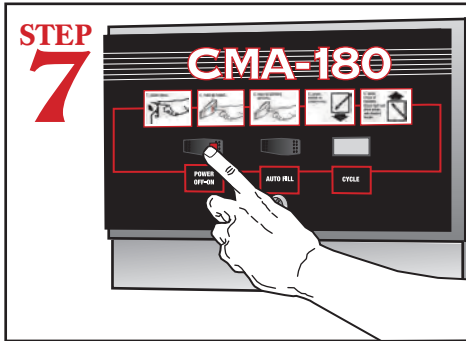
Quick Setup Instructions



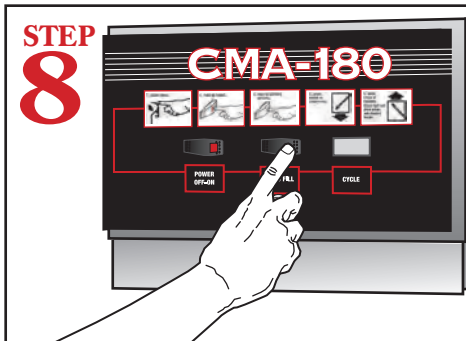
CMA-180
FRONT VIEW



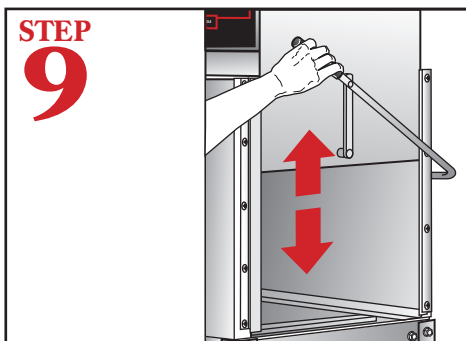
Push "RINSE TOGGLE SWITCH", located on the back of the control box, to fill the booster tank.



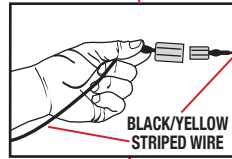
Press "POWER ON/OFF" rocker switch to turn on dishmachine.



Press "AUTO FILL" immediately after power is turned on. Timer will automatically fill until the water overflows into the scrap trap. The initial fill may need to be pushed twice to fill wash tank.

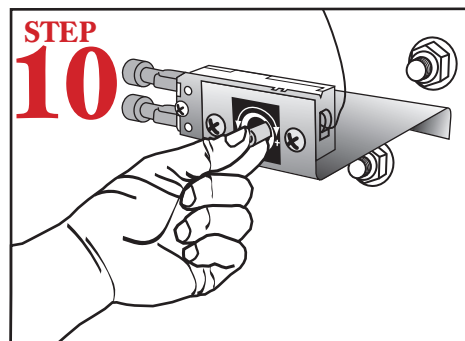


Open dishmachine doors completely. Closing the doors will automatically activate the machine.

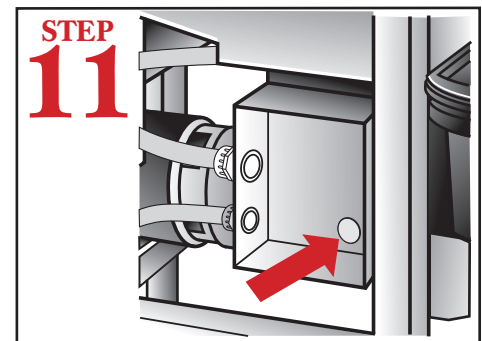


BLACK/YELLOW STRIPED WIRE

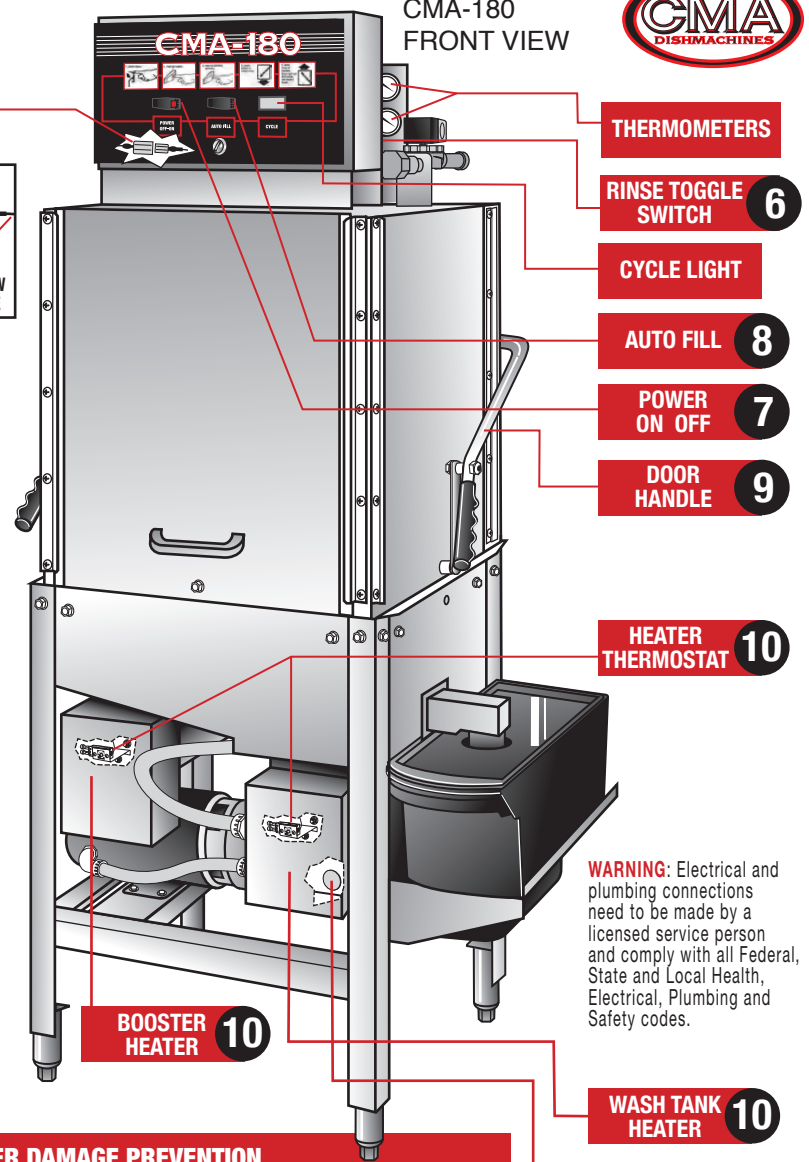
BOOSTER HEATER DAMAGE PREVENTION
CAUTION: TO PREVENT BOOSTER HEATER ELEMENT DAMAGE, CMA HAS REMOVED A WIRE FROM THE "HIGH-LIMIT SWITCH". THE BOOSTER TANK MUST BE FILLED WITH WATER PRIOR TO CONNECTING THE "REMOVED" WIRE, AT THE INITIAL FILLING OF A NEWLY INSTALLED DISH MACHINE. TO FILL THE BOOSTER TANK, LOCATE THE "RINSE TOGGLE SWITCH" ON BACK OF CONTROL BOX. PUSH THE TOGGLE SWITCH TO ACTIVATE THE WATER SOLENOID THAT FILLS THE BOOSTER TANK. THE BOOSTER TANK INDICATES FULL, WHEN YOU CAN OBSERVE WATER SPRAYING FROM THE RINSE ARMS. AT THIS POINT, AND ONLY AT THIS POINT, SHOULD YOU CONNECT THE "REMOVED" WIRE. **FAILING TO FOLLOW THESE IMPORTANT INSTRUCTIONS WILL DESTROY THE HEATING ELEMENT, BECAUSE THE ELEMENT SHOULD ONLY OPERATE WHEN FULLY SUBMERGED IN WATER.**



Adjust the temperature by removing the panel in front of the respective heater and turning the adjustment post. Wash temp. 155°F. Rinse temp. 180°F.



Remove the stainless steel plug to install the detergent probe (provided by your dispenser supplier; CMA does not supply).



- THERMOMETERS
- RINSE TOGGLE SWITCH 6
- CYCLE LIGHT
- AUTO FILL 8
- POWER ON/OFF 7
- DOOR HANDLE 9

HEATER THERMOSTAT 10

WARNING: Electrical and plumbing connections need to be made by a licensed service person and comply with all Federal, State and Local Health, Electrical, Plumbing and Safety codes.

BOOSTER HEATER 10

WASH TANK HEATER 10

DETERGENT PROBE INLET 11